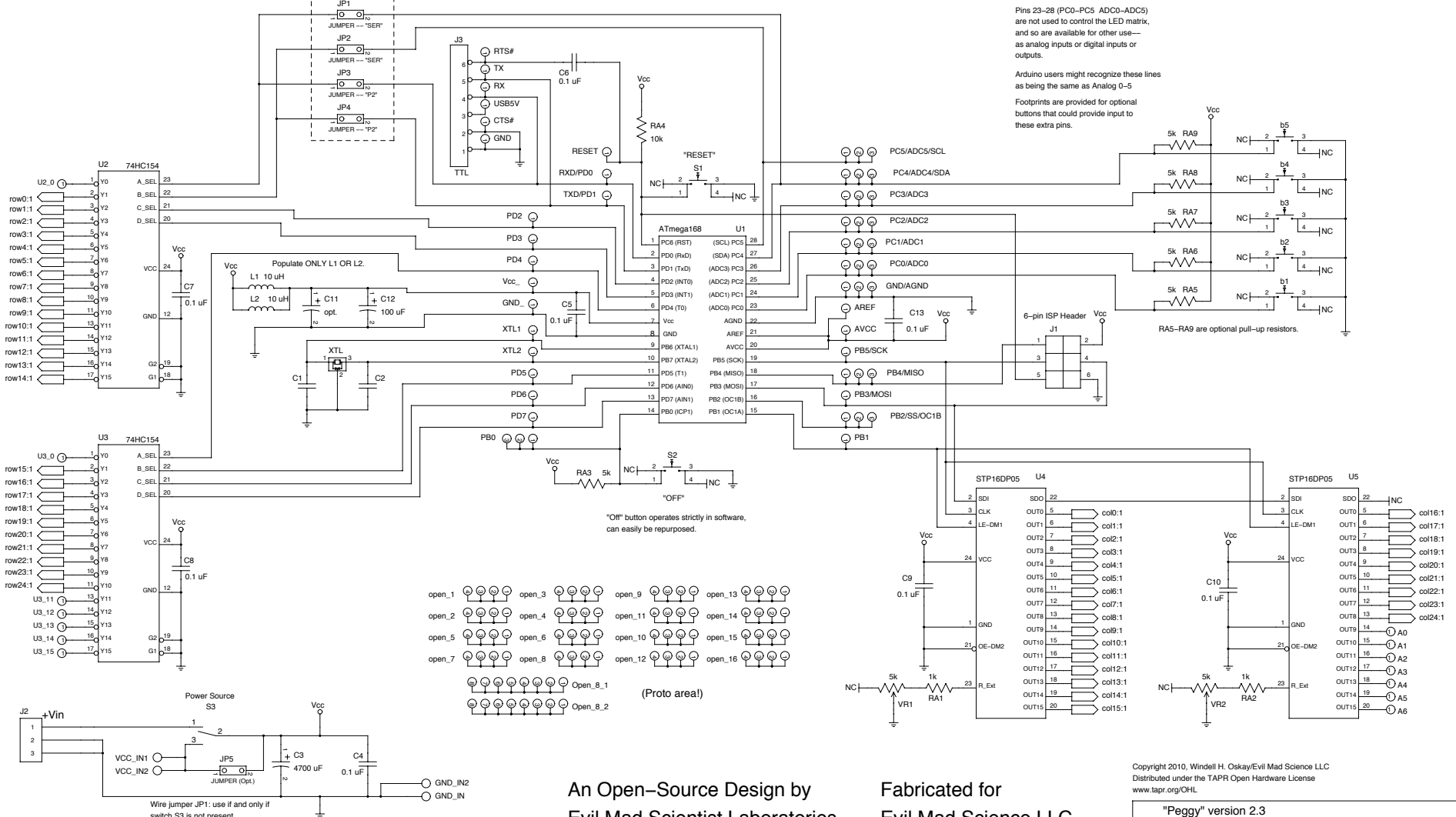


Populate ONLY (JP1 and JP2) OR (JP3 and JP4).
 Select: JP1 and JP2 to enable the "serial hack"
 or
 Select: JP3 and JP4 for exact compatibility with
 Peggy 2.0.



Pins 23-28 (PC0-PC5 ADC0-ADC5) are not used to control the LED matrix, and so are available for other use—as analog inputs or digital inputs or outputs.

Arduino users might recognize these lines as being the same as Analog 0-5

Footprints are provided for optional buttons that could provide input to these extra pins.

RA5-RA9 are optional pull-up resistors.

"OFF" button operates strictly in software, can easily be repurposed.

(Proto area)

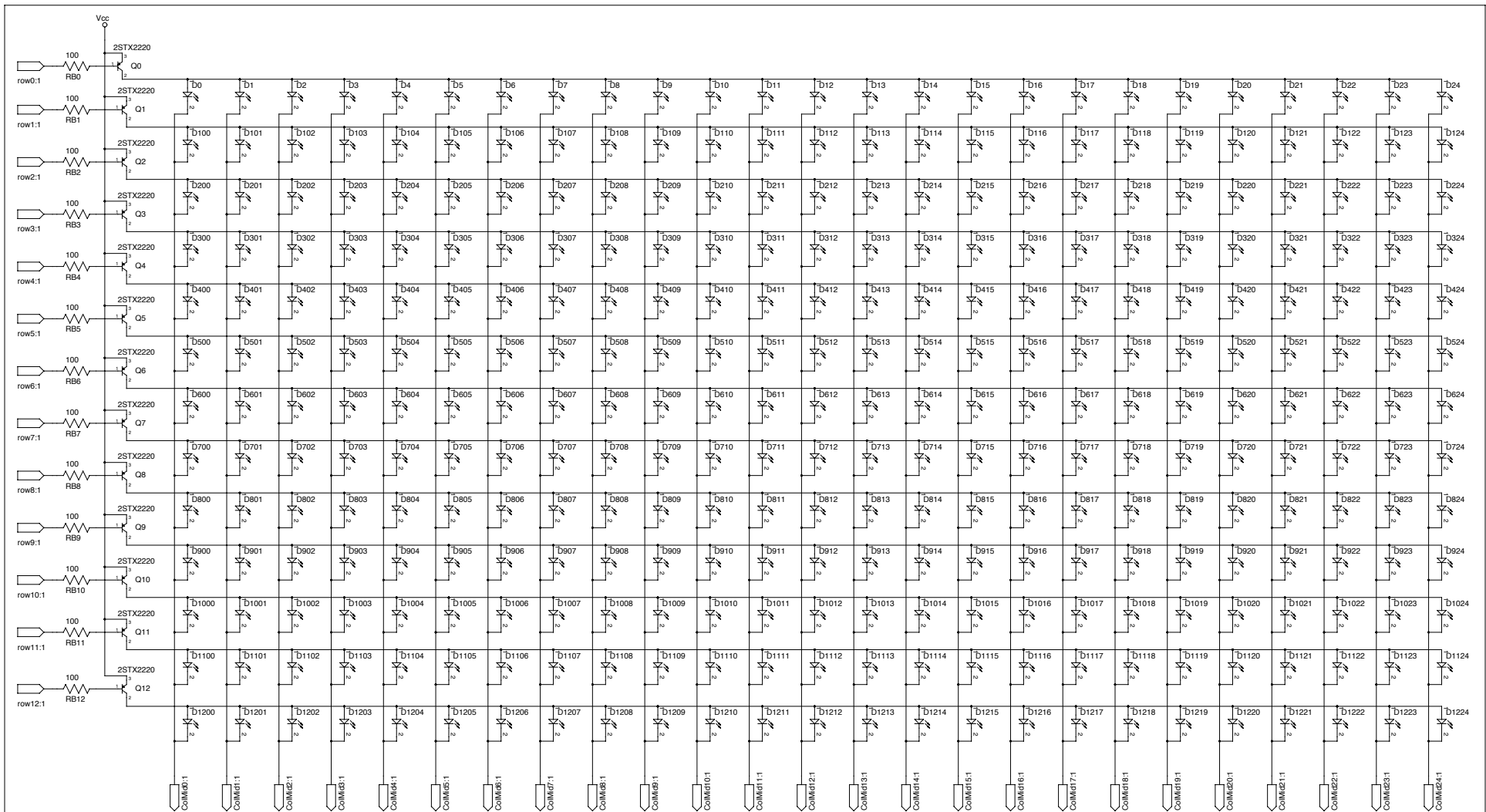
OPTIONAL POWER SUPPLY: 4.5V to 5 V, regulated, 600 mA+
 Remove (snip out) JP1 if present. Install switch S3 and jack J2.

An Open-Source Design by
 Evil Mad Scientist Laboratories
www.evilmadscientist.com

Fabricated for
 Evil Mad Science LLC
<http://evilmadscience.com/>

Copyright 2010, Windell H. Oskay/Evil Mad Science LLC
 Distributed under the TAPR Open Hardware License
www.tapr.org/OHL

"Peggy" version 2.3
 TITLE: A light-emitting pegboard display panel
 FILE: LEDdisp_X_sch REVISION: A
 PAGE: 1 OF 3 DRAWN BY: Windell H. Oskay

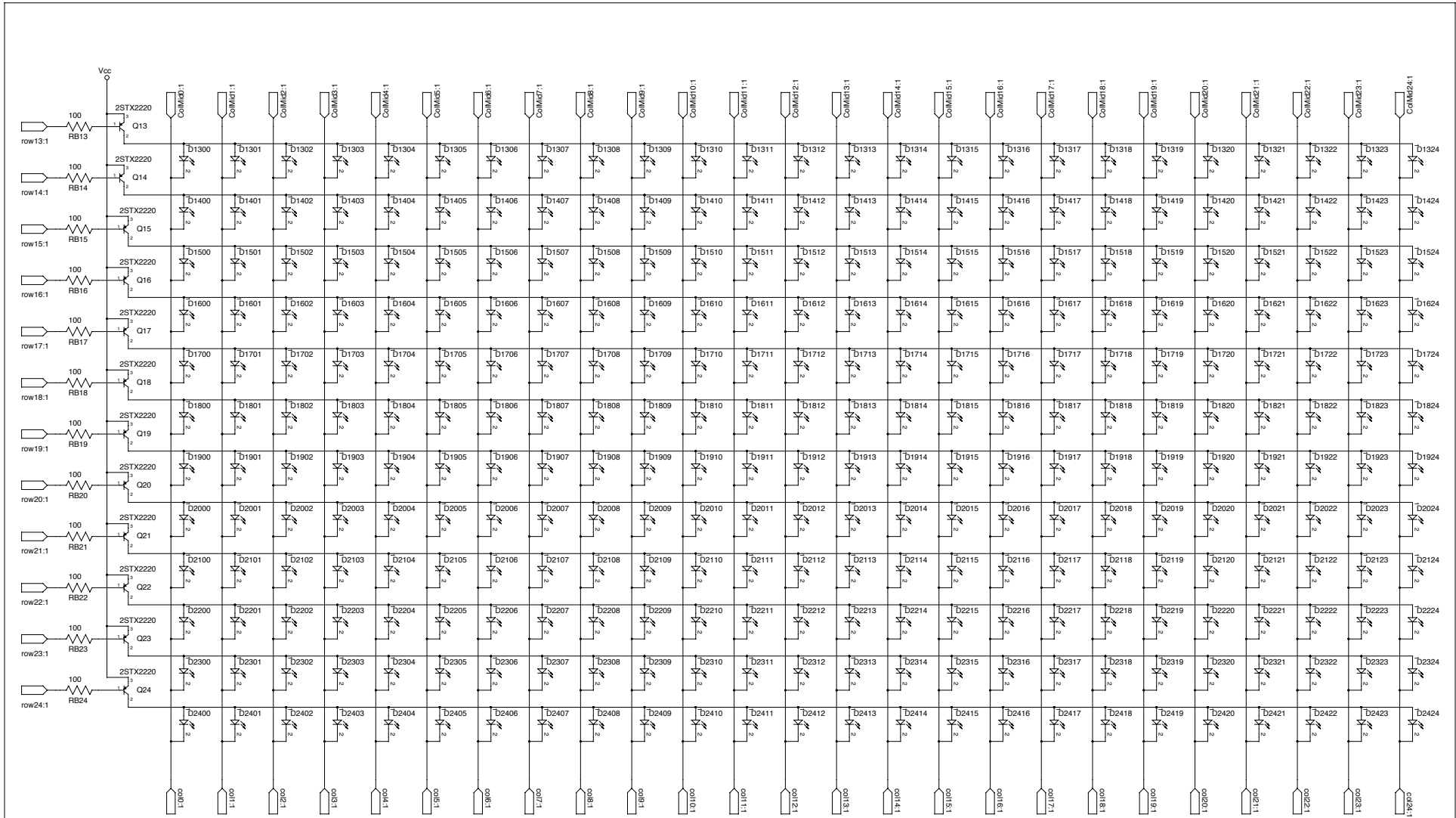


Copyright 2010, Windell H. Oskay/Evil Mad Science LLC
 Distributed under the TAPR Open Hardware License
www.tapr.org/OHL

An Open-Source Design by
 Evil Mad Scientist Laboratories
www.evilmadscientist.com

Fabricated for
 Evil Mad Science LLC
<http://evilmadscience.com/>

"Peggy" version 2.3	
TITLE: A light-emitting pegboard display panel	
FILE: LEDdisp_X.sch	REVISION: A
PAGE: 2 OF 3	DRAWN BY: Windell H. Oskay



An Open-Source Design by
 Evil Mad Scientist Laboratories
www.evilmadscientist.com

Fabricated for
 Evil Mad Science LLC
<http://evilmadscience.com/>

Copyright 2010, Windell H. Oskay/Evil Mad Science LLC Distributed under the TAPR Open Hardware License www.tapr.org/OHL		
"Peggy" version 2.3		
TITLE: A light-emitting pegboard display panel		
FILE: LEDdisp_X.sch	REVISION: A	
PAGE: 3 OF 3	DRAWN BY: Windell H. Oskay	